



G004236

# Fire Patrol Unit

## Salwico FP10

Part no. 5200283-00A

System: CS3000, CS3004, CS4000, Salwico Cargo, Salwico Cruise, Salwico LNG, Salwico Offshore, Salwico Ro/Pax, Salwico Workboat, Salwico Yacht, Salwico Navy, OEM Extinguish

### General Description


The FP10 is a fire patrol unit for fire alarm systems. This loop unit is designed for use in dry spaces.

FP10 is based on magnetism and the Hall effect. This makes the design very robust. Holding the VN01 key to the front of the unit activates it.

The active status is indicated with an LED on the front of the fire patrol unit.

The loop address of the FP10 is set by a DIP-switch.

### Data

Loop nominal voltage	35 VDC
Loop working voltage	22 – 38 VDC
Loop working current	0.2 mA
Ingress protection	IP22
Relative Humidity	At low temperature 95% At high temperature 93% ± 3%
Ambient temperature	-40°C to +70°C
Cable terminals	2.5 mm <sup>2</sup>
Material	PC/ABS
Colour	NCS-0502Y
Weight	100 g
Certified according to	 2531/yy yy = year of production

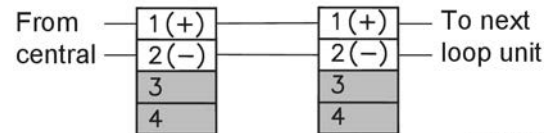
### FP10 as a Replacement Unit

Table 1. FP10 replaces the following discontinued products

Part no.	Product	Note	SW2 DIP4
046445	VE01 Fire patrol unit		ON
046450	VE-2 Fire patrol unit	*	ON

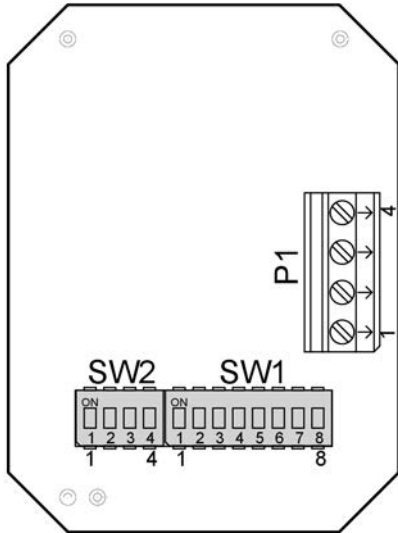
\* Magnetic VN01 key needs to be added to the supply of the first replacement unit.

### Connection Example



G004237

### DIP-Switches



G004235

Figure 1. Location of DIP-switches and connections on the PCB

The following functions are set by the DIP-switches. (Use a pointed tool of suitable size.)

**Address switch SW1**

The loop address of the unit is set by DIP-switch SW1.

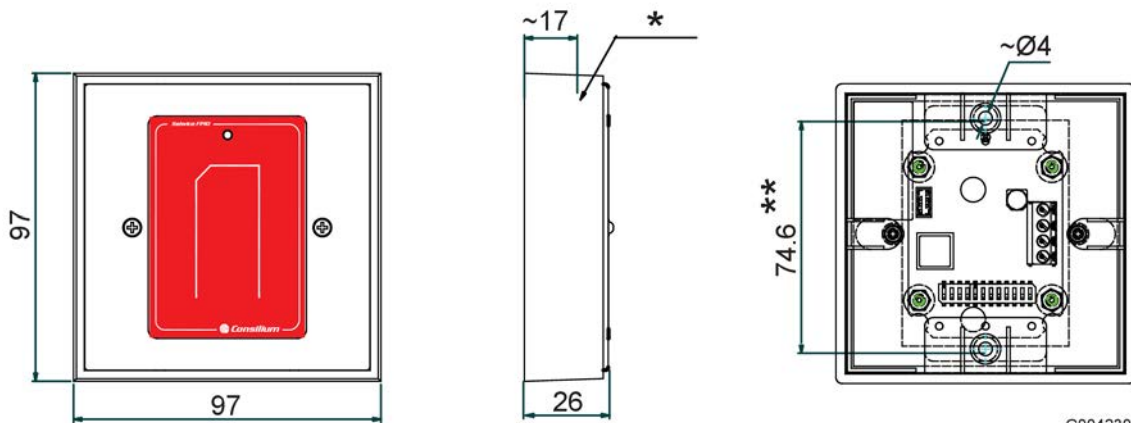
**Function switch SW2**

DIP 1, DIP 2 and DIP 3 are not used.



**CAUTION!**  
SW2 DIP 4 must always be ON!

### Dimensions (mm)



G004230

\* Seat of wall mounting screw

\*\* Wall mounting holes