



G002931

Combined Optical Smoke and Heat Detector

EV-PP-D/OA130

Part no. 5100448-00A

System: TS1000

General description

The detector is an analogue addressable optical smoke and heat detector. The smoke and heat detector functions are independent and can be used in any required combination.

The detector is designed to give early warning for the presence of heat and smoke in the supervised area. The detector offers a high protection against unwanted alarms.

The low profile combined with the Omniview™ 360° alarm indication makes the detector suitable for sites with high architectural requirements.

The address is set by an 8-way DIP-switch.

Data

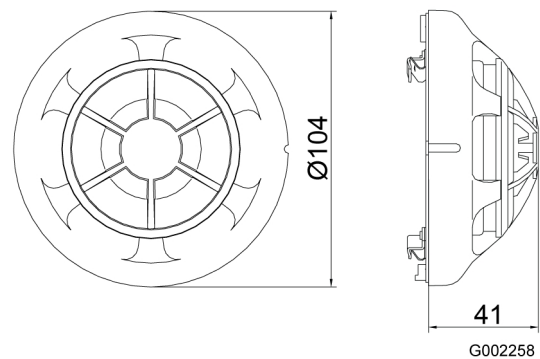
Nominal voltage	34 VDC
Working voltage	20–38 VDC
Working current	< 200 μ A
Alarm current	< 3 mA
Remote output	Max 15 mA
Alarm temperature	57°C class A1
Ingress protection	Depending on base
Relative humidity	\leq 95% RH non-condensing
Temperature range	-40°C to +85°C
Cover material	PA66
Colour	White
Weight	~130 g
Certified according to	See separate document for approvals and certifications.

For information about suitable base plates, see separate document "Base Matrix Salwico units".

i NOTE!
Do not remove the dust cover from the detector until all polluting (dusty) activities are finished and the area has been cleaned.

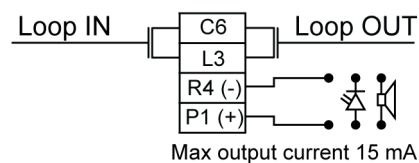
i NOTE!
A 20 seconds timeout is necessary if changing the address when the loop is powered.

Dimensions (mm)



G002258

Connection



G002257