



G005222

System: CGD50

Control unit

CGD50

Part no. Listed in Ordering Information

General Description

CGD50 is a gas detection control system. It is designed for small stationary gas detection installations for the monitoring of explosive and/or toxic gases and oxygen.

The central is delivered complete with:

- 1 x Control panel, Internal
- 1 x Isolated serial interface RS485 (NMEA 0183, MODBUS RTU)
- 5-15 x Relay outputs (one for fault and one for gas A1, 3-13 pcs programmable relays)
- 4-12 x 4-20mA inputs for connection of gas detectors (Sink and Source)
- 1 x 4.2A Power supply, 100-240VAC / 24VDC output

Also included in the delivery for some types (see Ordering Information):

- 1 x Serial interface RS485/RS422
- 1 x Serial interface RS232
- 8 x Digital input channels for monitoring of input signals
- 8 x Digital output channels for cable monitoring and for control of power supply to units such as alarm devices

Applications

- Chemical industry
- Refineries
- Waste water treatment
- Boiler houses
- Laboratory / Universities
- Storage dangerous goods

- Food industry

For more information, please refer to the datasheets of the system modules and the CGD50/500 manuals.

Data

Nominal voltage	100-240VAC
Power consumption	~25W in normal condition
Ingress Protection	IP55
Cable terminals	2.5 mm ² , 1.5 mm ² for terminal 1-5 on Buscon M Gas
Cable specification	2 or 3 core wire screened (min. 0.75 mm ²)
Measurement ranges	% LEL, ppm, ppb, VOL %
Temperature range	-5°C to +55°C
Colour, cabinet	RAL7035
Weight	11 kg ± 5%

System Modules

Part No.	System Module
5201049-00A	PSU M AC/DC 4.2A, 1 pc. Address N/A
5110002-00A	BusCon M Gas, 1 pc. Address N/A
5110003-20A	Analogue M 4-20, 1 pc. Address 11 (and 12, 13 where applicable)
5100080-20A	Relay M 8, 1 pc. Address 75. Where applicable.
5100001-20A	Control M X, 1 pc. Address 8. Where applicable.
5100074-20A	Digital input Address 99. Where applicable.
5100076-20A	Digital output Address 91. Where applicable.

Ordering Information

Type	Item number	Analogue 4-20mA Inputs	Configurable Relay Outputs	Enclosure	RS485	RS485/RS422	RS232	Digital inputs	Digital outputs
CGD50 I-1A	5101112-00A	4	3	Coated	1	-	-	-	-
CGD50 I-1A1C	5101113-00A	4	5	Coated	1	1	1	-	-
CGD50 I-1A1C1R	5101114-00A	4	13	Coated	1	1	1	-	-
CGD50 I-1A1C1R 1DI1DO	5101115-00A	4	13	Coated	1	1	1	8	8
CGD50 I-1A1R	5101116-00A	4	11	Coated	1	-	-	-	-
CGD50 I-2A	5101117-00A	8	3	Coated	1	-	-	-	-
CGD50 I-2A1C	5101118-00A	8	5	Coated	1	1	1	-	-
CGD50 I-2A1C1R	5101119-00A	8	13	Coated	1	1	1	-	-
CGD50 I-2A1C1R 1DI1DO	5101120-00A	8	13	Coated	1	1	1	8	8
CGD50 I-2A1R	5101121-00A	8	11	Coated	1	-	-	-	-
CGD50 I-3A	5101122-00A	12	3	Coated	1	-	-	-	-
CGD50 I-3A1C	5101123-00A	12	5	Coated	1	1	1	-	-
CGD50 I-3A1C1R	5101124-00A	12	13	Coated	1	1	1	-	-
CGD50 I-3A1R 1DI1DO	5101125-00A	12	13	Coated	1	-	-	8	8
CGD50 I-3A1R	5101126-00A	12	11	Coated	1	-	-	-	-
CGD50 I-1A	5101127-00A	4	3	Stainless steel	1	-	-	-	-
CGD50 I-1A1C	5101128-00A	4	5	Stainless steel	1	1	1	-	-
CGD50 I-1A1C1R	5101129-00A	4	13	Stainless steel	1	1	1	-	-
CGD50 I-1A1C1R 1DI1DO	5101130-00A	4	13	Stainless steel	1	1	1	8	8
CGD50 I-1A1R	5101131-00A	4	11	Stainless steel	1	-	-	-	-
CGD50 I-2A	5101132-00A	8	3	Stainless steel	1	-	-	-	-
CGD50 I-2A1C	5101133-00A	8	5	Stainless steel	1	1	1	-	-

Type	Item number	Analogue 4-20mA Inputs	Configurable Relay Outputs	Enclosure	RS485	RS485/RS422	RS232	Digital inputs	Digital outputs
CGD50 I-2A1C1R	5101134-00A	8	13	Stainless steel	1	1	1	-	-
CGD50 I-2A1C1R 1DI1DO	5101135-00A	8	13	Stainless steel	1	1	1	8	8
CGD50 I-2A1R	5101136-00A	8	11	Stainless steel	1	-	-	-	-
CGD50 I-3A	5101137-00A	12	3	Stainless steel	1	-	-	-	-
CGD50 I-3A1C	5101138-00A	12	5	Stainless steel	1	1	1	-	-
CGD50 I-3A1C1R	5101139-00A	12	13	Stainless steel	1	1	1	-	-
CGD50 I-3A1R 1DI1DO	5101140-00A	12	13	Stainless steel	1	-	-	8	8
CGD50 I-3A1R	5101141-00A	12	11	Stainless steel	1	-	-	-	-

In addition to the configurable relay outputs all panels are equipped with one alarm relay (A1) & one fault relay.

Accessories

Type	Part No.	Description
SVA, Alarm messenger	4000225	Alarm messenger (SMS / Email)
Signal tower	4000200	Multi LED Signal tower with 3 colours (green, orange & red), incl. buzzer (24VDC)
Sounder + Beacon	4000189	Combined Sounder (110dB) and beacon (Red flash light) 24VDC
Beacon	4000198	Beacon (Red flash light) 24VDC
Text sign	4000184e	Text sign "GAS ALARM – LEAVE AREA"
	4000185e	Text sign "GAS ALARM – DO NOT ENTER"
Cable gland PG13,5	4002432	PG13,5 for entry of sensor cable
Cable nut PG13,5	4002433	PG13,5 in combination with 4002432

Wall mounted cabinet dimensions (mm)

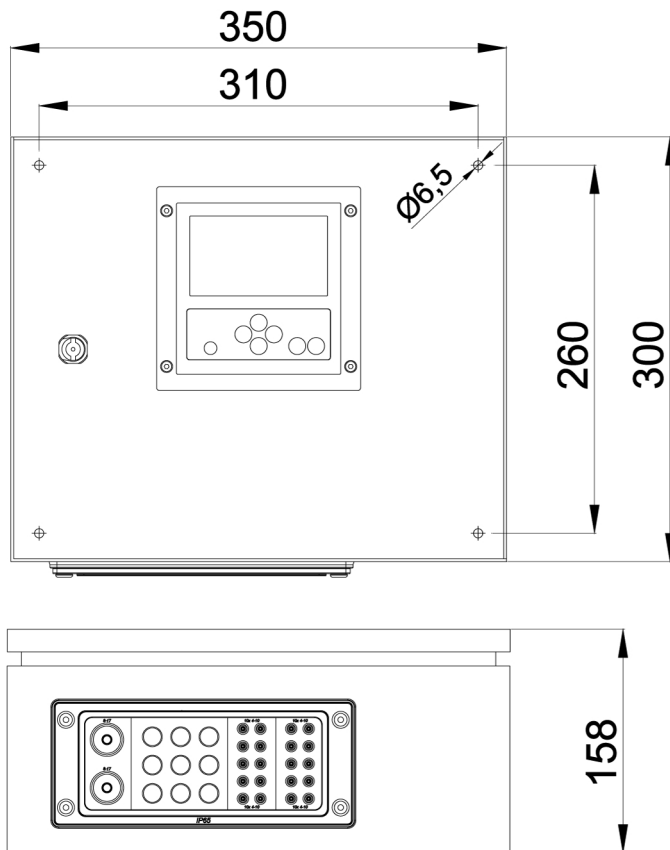


Figure 1. Cabinet dimensions (mm)

G023554

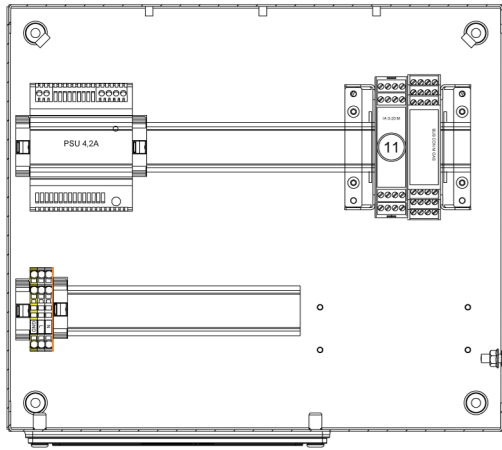


Figure 2. I-1A

G023555

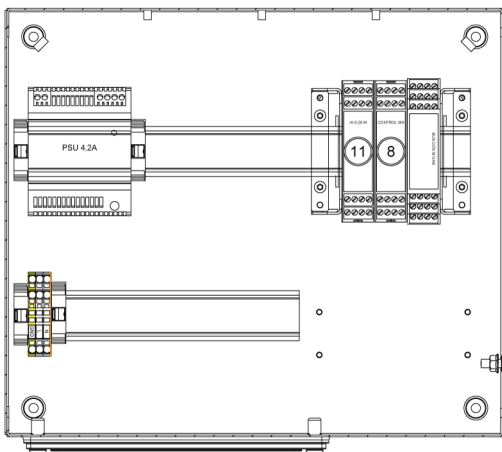


Figure 3. I-1A1C

G023556

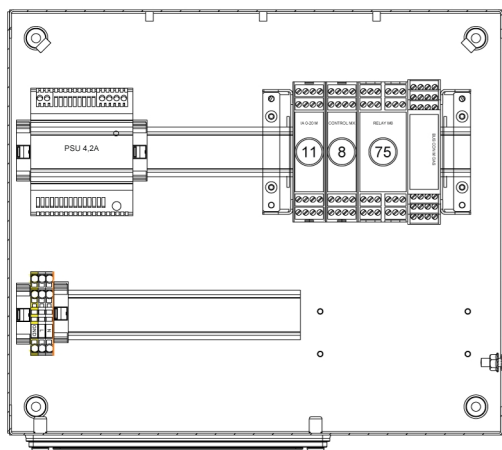


Figure 4. I-1A1C1R

G023557

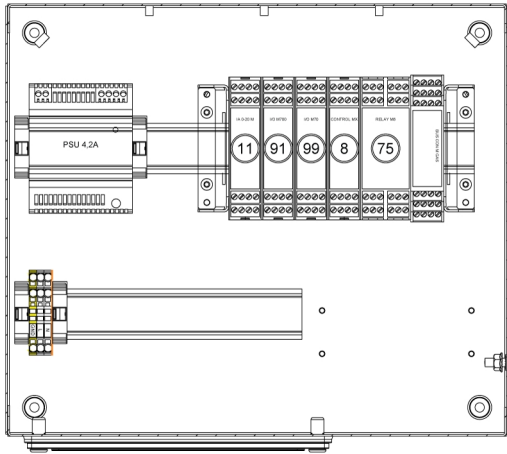


Figure 5. I-1A1C1R1DI1DO

G023558

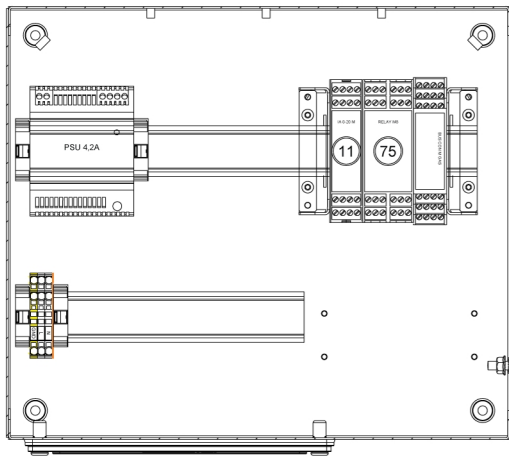


Figure 6. I-1A1R

G023559

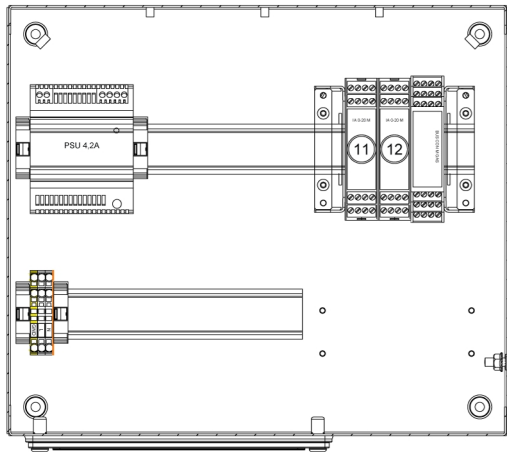


Figure 7. I-2A

G023560

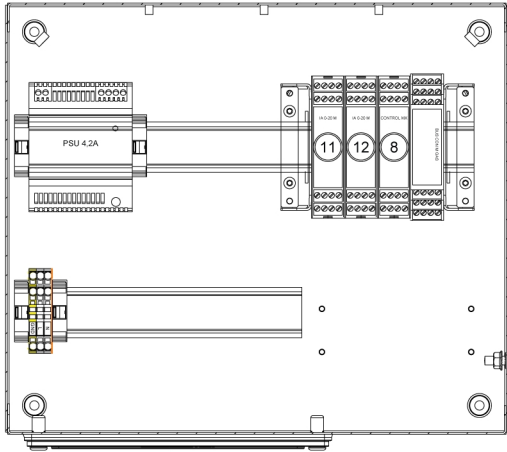


Figure 8. I-2A1C

G023561

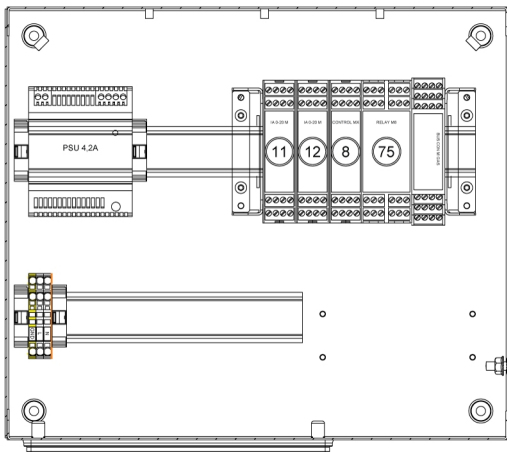


Figure 9. I-2A1C1R

G023562

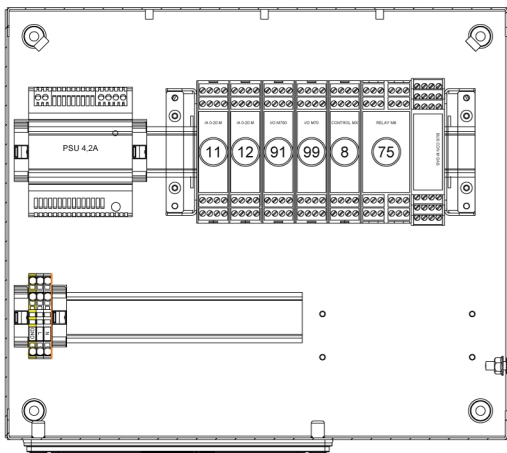


Figure 10. I-2A1C1R1D11DO

G023563

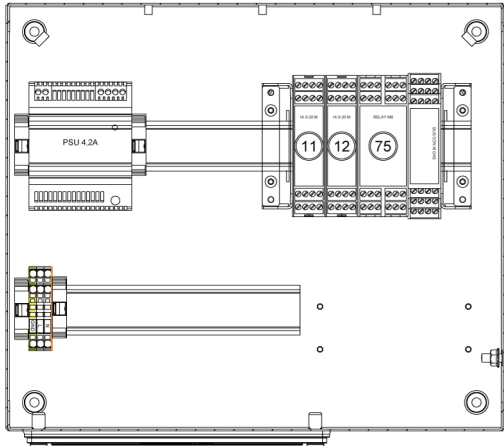


Figure 11. I-2A1R

G023564

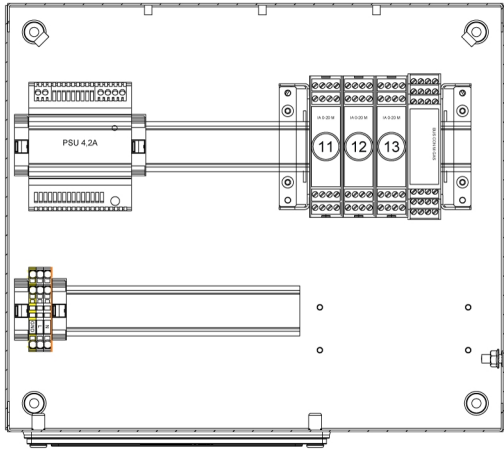


Figure 12. I-3A

G023565

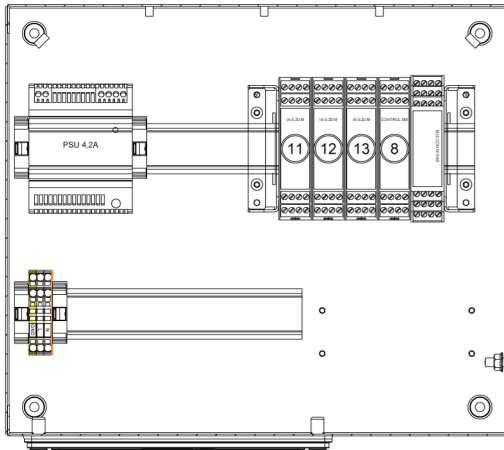


Figure 13. I-3A1C

G023566

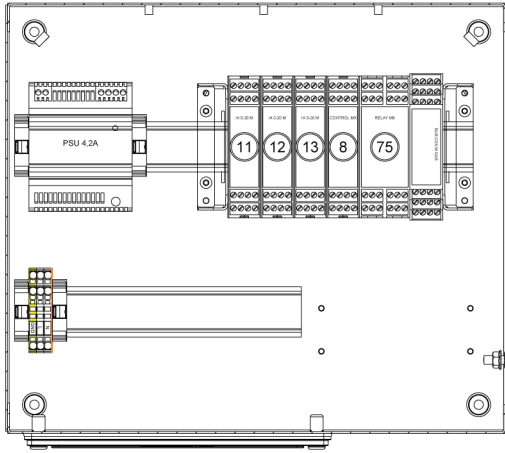


Figure 14. I-3A1C1R

G023567

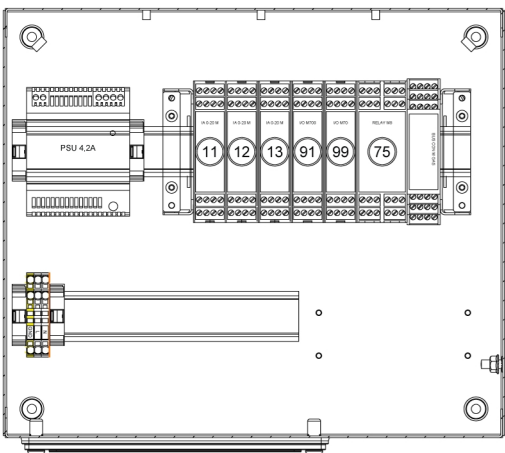


Figure 15. I-3A1R1DI1DO

G023568

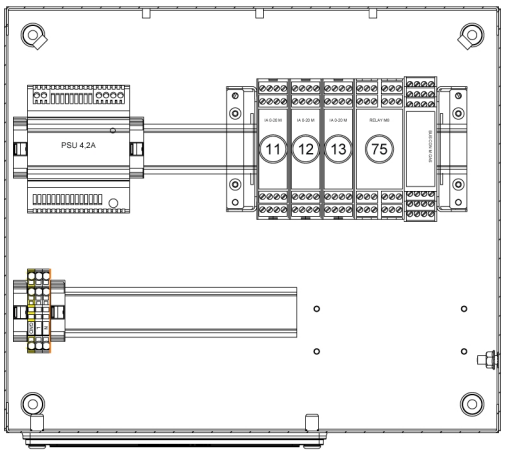


Figure 16. I-3A1R

G023569