



G021323

Intrinsically Safe Isolator

C-GI ADDR Ex H

Part no. 5600963-00

System: CS3000, CS4000, NSAC-1, Salwico Cargo, Salwico Cruise, Salwico LNG, Salwico Offshore, Salwico Ro/Pax, Salwico Workboat, Salwico Yacht, Salwico Navy, OEM Extinguish

General Description

C-GI ADDR Ex H is an IS isolator intended for use together with Salwico intrinsically safe addressable detectors and manual call points.

C-GI ADDR Ex H is located in a non-hazardous area (safe area) and forming the interface to IS detectors and other IS line units.

To each addressable detector loop a maximum of five C-GI ADDR Ex H units can be connected, each of them accommodating up to 20 IS line units.

C-GI ADDR Ex H does not need a separate power supply. It is powered directly from the fire alarm panel via the loop cable, which means that no extra cables are needed.

C-GI ADDR Ex H is only allowed to be mounted with a minimum required distance (50mm) between the intrinsic safe and the non intrinsic safe conductors. The conductors shall be as short as possible between the entrance and the terminals and shall not cross from one side to another.



G022318



NOTE!

Unless anything else is specified, voltages are always specified as DC in this datasheet.

Safety Data

Max output voltage (U_o)	28 V
Max output current (I_o)	92.8 mA
Max output power (P_o)	649.8 mW
Max internal capacitance (C_i)	5.14 nF
Max internal inductance (L_i)	Negligible

The capacitance and either the inductance or inductance to resistance ratio (L/R) of the load connected to the output terminals of the apparatus must not exceed the following values:

Group	Capacitance [nF]	Inductance [mH] or L/R Ratio [$\mu\text{H}/\Omega$]
IIC	77	4.3 55
IIB	640**	17 199

** To avoid loss of communication signals, the capacitance on the intrinsically safe side shall not exceed 300 nF.



NOTE!

The above load parameters apply where:

1. The external circuit contains no combined lumped inductance L_i and capacitance C_i greater than 1% of the above values.
or
2. The inductance and capacitance are distributed as in a cable.
or
3. The external circuit contains either only lumped inductance or lumped capacitance in combination with a cable.


In all other situations e.g. the external circuit contains combined lumped inductance or lumped capacitance, up to 50% of each of the L and C values is allowed.

Data

Working voltage	27-38 V
Nominal working voltage	36 V
Max output V	28 V
Cable terminals	2.5 mm ²
Ambient temperature	-40 °C to +60 °C
Ambient humidity	≤ 95% RH non-condensing
Ingress protection	IP20
Material	Polyamide (PA)
Colour	Black (RAL 9005) / Grey (RAL 7042)
Weight	100 g ± 5%

ATEX Ex ia

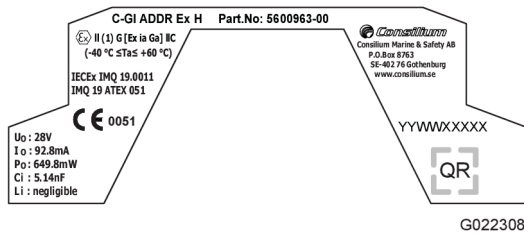
Certificate No:
IMQ 19 ATEX 051
Certified according to:
IEC 60079-0, IEC
60079-11

 II (1) G

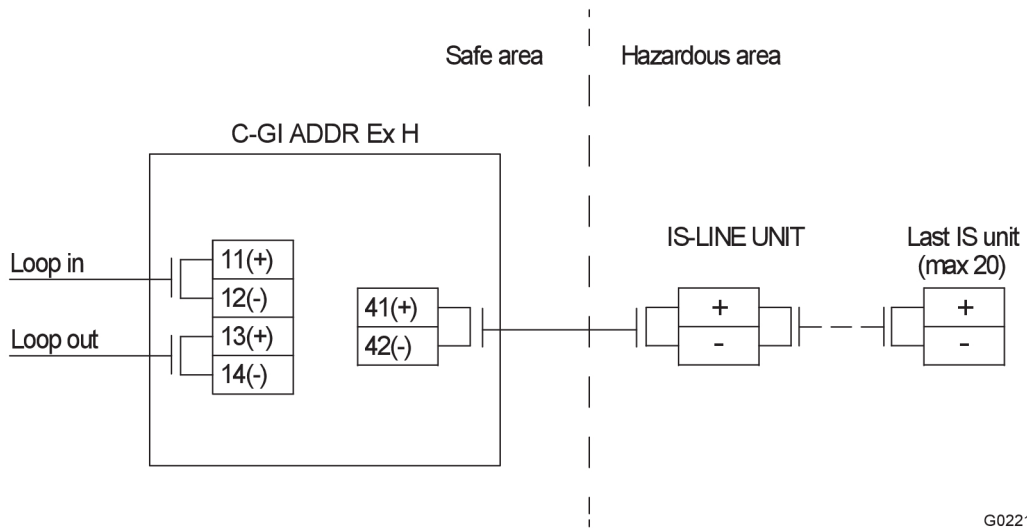
IECEX Ex ia

Certificate No:
IECEX IMQ 19.0011
Certified according to:
IEC 60079-0, IEC
60079-11
[Ex ia Ga] IIC
-40 °C ≤ Ta ≤ +60 °C

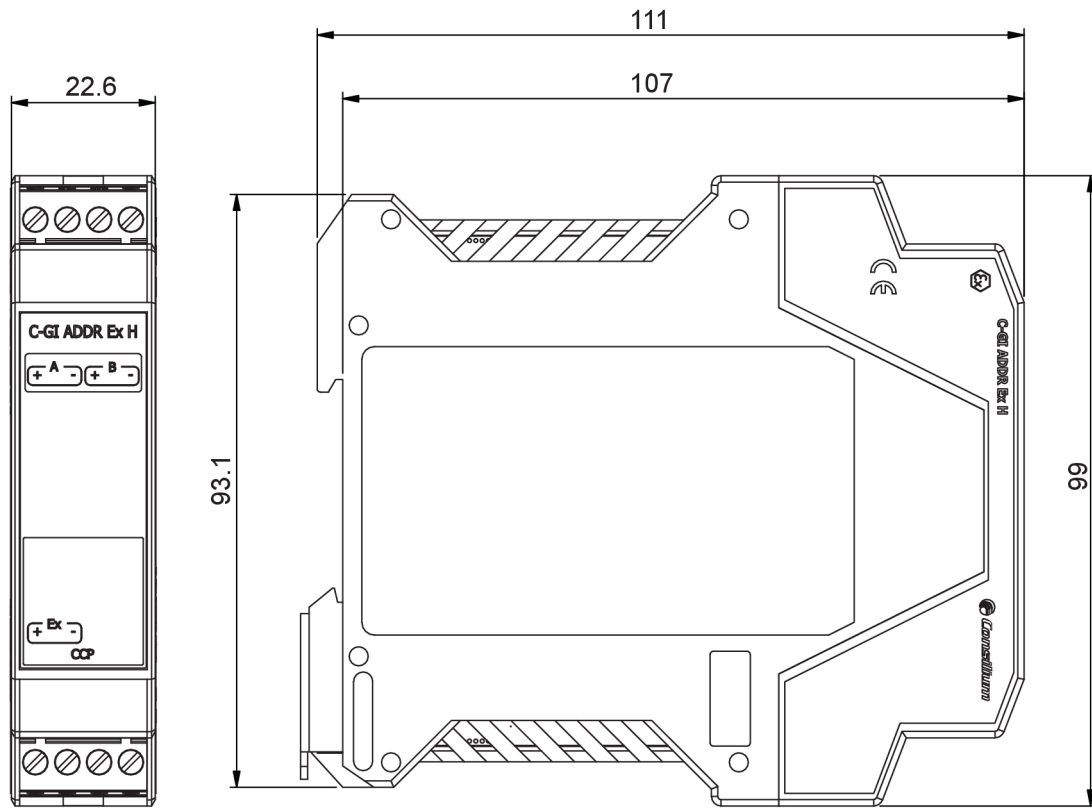
Certifications



Connection



Dimensions (mm)



G021393