

G003673

# Addressable Base for IR Flame Detector

## Salwico AC-IR-3Fq Addr Base

Part no. 5200237-00A

System: CS3000\*, CS3004\*, CS4000\*, NSAC-1\* \*\*, Salwico Cargo, Salwico Cruise, Salwico LNG, Salwico Ro/Pax, Salwico Workboat, Salwico Yacht, Salwico Navy, OEM Extinguish  
\*\*) Requires LC1 R6 SW v.2.61.34 or later

### General Description

AC-IR-3Fq Addr Base is suitable for installation of AC-IR-3Fq Detector in a harsh environment. The base plate provides ingress protection up to IP67, when lock screws are used.

The base provides a termination possibility, for detector set in Addressable mode. The address is set by an 8-way DIP-switch.

Salwico AC-IR-3Fq Addr Base is developed to provide Short Circuit Protection. The Short Circuit Isolator function is fully transparent and does not require any setting.

#### Features

- IP65/IP67 Ingress protection
- Low current draw
- Suitable for installation in harsh environment

### Data

#### Electrical Specifications

Nominal working voltage	30 VDC
Working voltage	22-38 VDC
Working current	Max 0.6 mA
Current when short circuited	12 mA
Alarm current	Max 1 mA (Including detector)
Remote output	N.A.

#### Environmental Specifications

Application Temperature Range	-25°C to +75°C
Humidity	Up to 95%
IP Rating	IP65 (IP67 w/locking screws)

### Mechanical Information

W x L x H	130 x 110 x 37,5 mm
Diameter	100 mm
Weight	130 g +/- 10
Wire Gauge for terminal	0,75÷2,5 mm <sup>2</sup>
Colour	White RAL9010
Material	PCB Flame Ret. Class: CL UL94V0

Certified according to



0474/yy  
yy = year of production

#### Detector

5200236-00A Salwico AC-IR-3Fq

### Switch Settings

#### SW1 - Address Switch

The address is set by an 8-way DIP-switch.

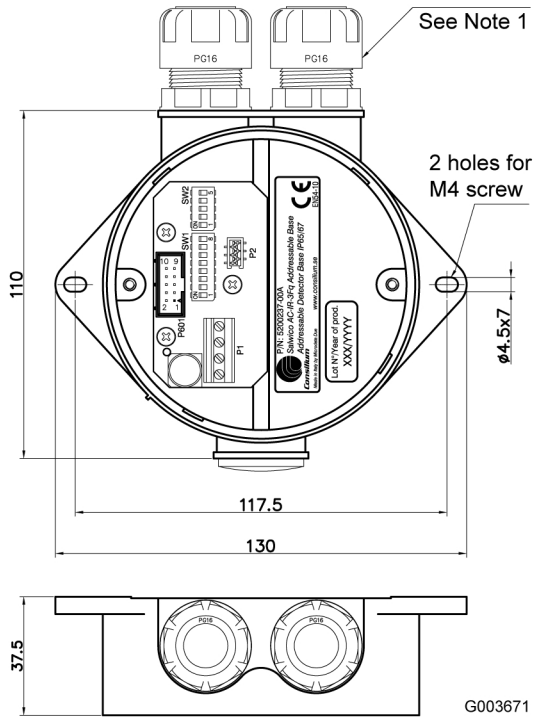
#### SW2 - Setting Switch

DIP No.	Default Setting	Explanation
1	OFF	IR-Detector
2	OFF	Not used
3	OFF	Not used
4	OFF	Not used
5 <sup>1</sup>	OFF	SCI (Short Circuit Isolator) enabled

1. When used in older systems (\*) DIP no. 5 shall be set to the ON position. Disabling the SCI function will avoid some operational disturbance.

When used in the newer CCP based systems DIP no. 5 shall be set to the OFF position, enabling the SCI function.

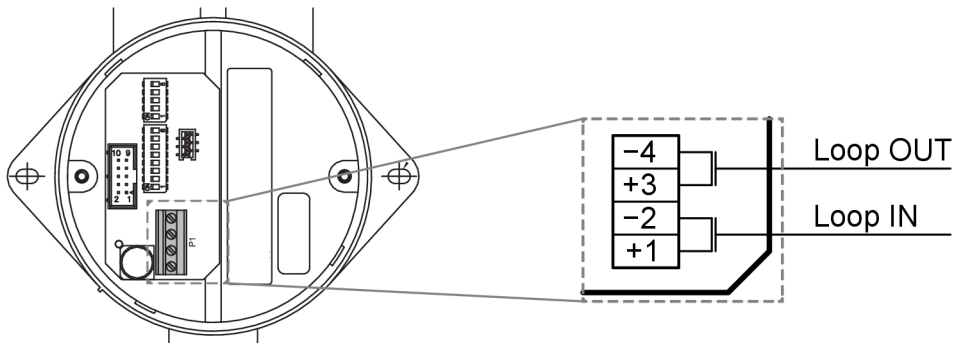
### Dimensions (mm)



G003671

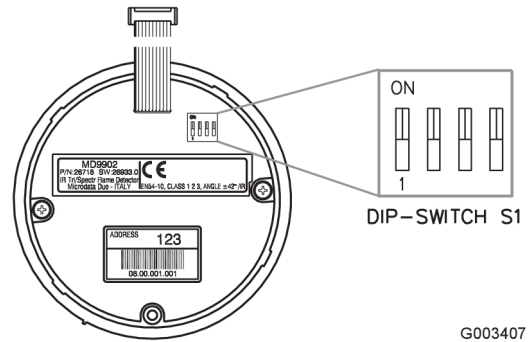
Note 1: PG16 Cable-glands & stop-end are supplied in kit with base.

### Connection



G003684

### Flame Detector DIP-switch settings



G003407

Figure 1. AC-IR-3Fq Flame detector setting S1-DIP-Switch

Mode	Sw.No.3	Sw.No.4
Addressable*	OFF	OFF

\*Default factory setting

### Replacement Info

When replacing "UV"-type addressable detector; the loop/system needs to be restarted!