



G001766

Manual Call Point IP67 MCP-C WP (GB)

Part no. 5200014-01A

System: All Consilium fire alarm systems

General Description


The MCP-C is a manual call point for outdoor environment and is designed for the Salwico conventional fire alarm systems.

The selected material PC/ABS and the encapsulation, with ingress protection IP67, makes it very suitable for harsh environment.

Pressing the glass causing it to crack activates the fire alarm. A protective plastic coating on the glass prevents operator injury.

The call point can be tested with a special key included in the delivery.

Data

Nominal voltage	24 VDC
Working voltage	16-30 VDC
Supervising current	0 mA
Alarm current	Depending on connection, standard 24 V approx. 70 mA
Ingress protection	IP67
Temperature range	-25 °C to +70 °C
Ambient humidity	0 to 95% RH
Material	PC/ABS
Colour	Red
Weight	240 g ± 5%
Cable dimension	Ø6-12 mm
Certified according to	 0832/yyyy yyyy = year of production

Accessories



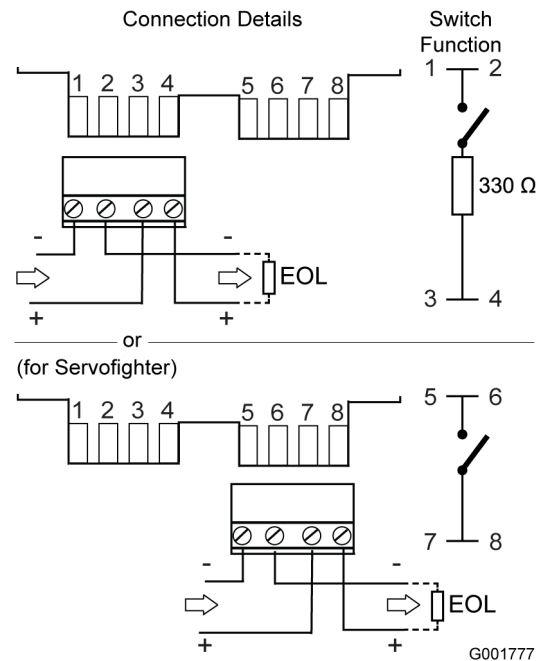
NOTE!

The optional protection lid has to be ordered separately.

Protection lid, transparent Part no. 5200232-00A

Spare glass (10pcs.) Part no. 5200075-00A

Connection



NOTE!

After the last section unit, add an **End of line** resistor between terminals 2 and 4 or 6 and 8 (for servofighter) according to system specification.

Simple Apparatus

According to IEC60079:11:2011, the MCP-C fulfil the requirements to be classified as a simple apparatus. The unit has temperature classification T5. When used in an intrinsically safe application, the MCP-C must be used together with a NS-ISOLATOR, part. no. N1770.

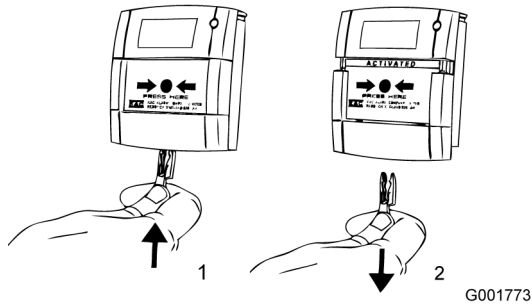
When used together with N1770 and there is a need to visualize a distinction between a detector alarm and an MCP alarm, the connection for Servofighter can be used.

- WARNING!**
 Potential electrostatic charging hazard.
 Do **not** clean with solvents.
 Do **not** charge by rubbing.
 Clean **only** with a damp cloth.

To comply with EX-requirements, the call point must be marked with an easy-to-read warning label that states "Avoid electrostatic charging".

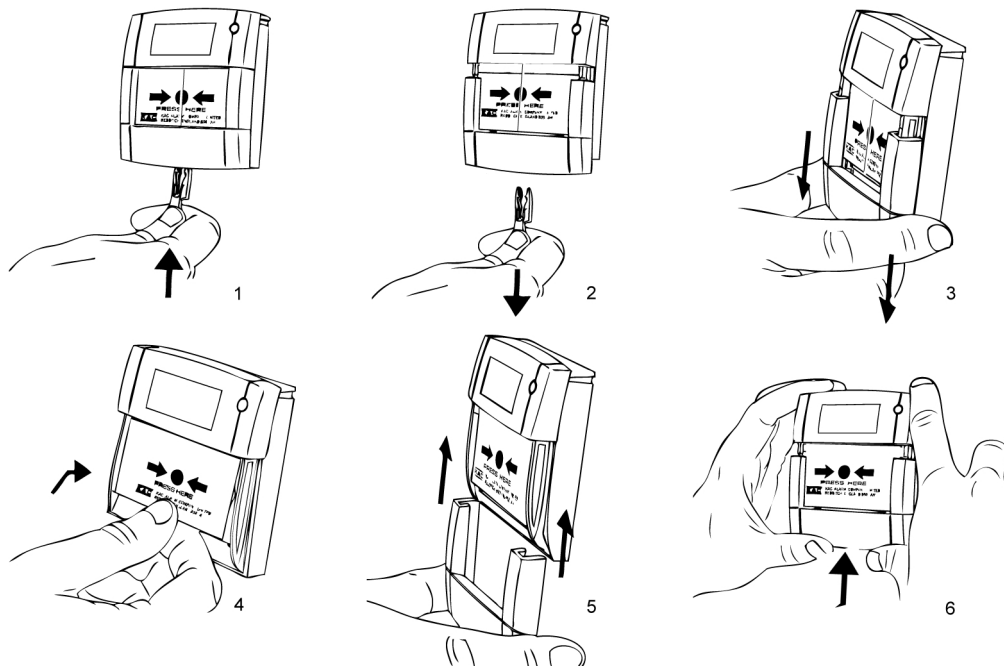
When installed in EX-areas, the unit has to be clearly identifiable as Simple apparatus by durable labelling.

Test



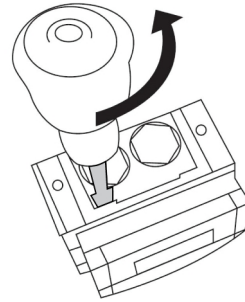
G001773

Replace glass



G001779

Cover removal



G003072

1. Remove the four cover fixing screws.
2. Place the edge of a large flat bladed screwdriver into the slot between the cover and back box, as shown in picture, and gently twist until the latches are disengaged.
3. Pull cover away from the back box.

Dimensions (mm)