



G016846

Base Adapter **IP-ADAPT**

Part no. 5100775-00A

System: All Consilium fire alarm systems

General Description

IP-ADAPT is an adapter that is to be used with IP-BASE (part. no. 5100774).

Smoke, heat, and flame detectors can be connected to this adapter:



NOTE!

For more information about suitable bases and detectors, see separate document "Base matrix".

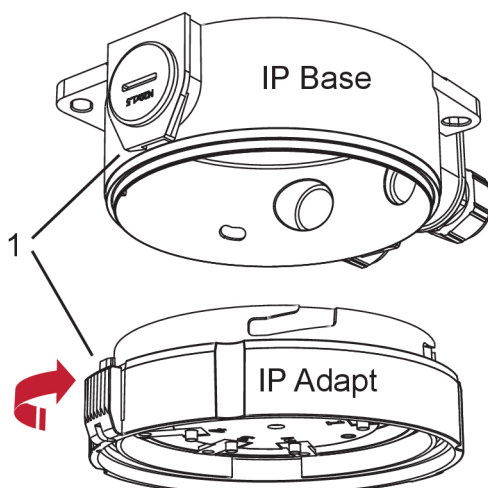
The adapter can be used for all Consilium fire alarm systems.

Data

Cable terminals	2.5 mm ²
Ingress protection	IP66/IP67 (for base adapter when mounted on base)
Material	PA66 + FR
Colour	White
Weight	140 g ±5%

Mounting

The base adapter is attached to the detector base IP-BASE with a bayonet mount. Turn the adapter in a clockwise direction and make sure the snap lock connector (1) snaps in place with a clicking sound.



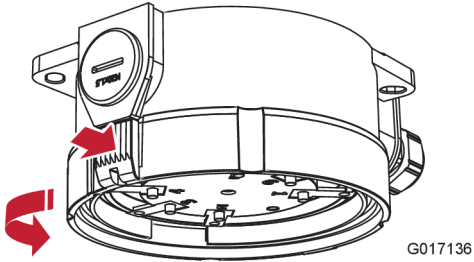
G017134



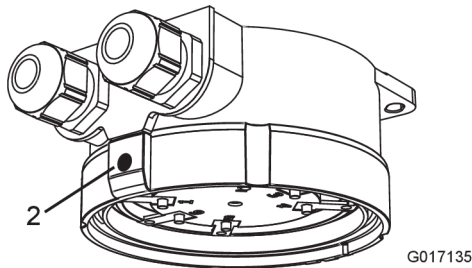
Hint!

As an option, the snap lock can be further secured with a screw in order to prevent removal of the adapter from the base.

To open the adapter, release the snap lock by pressing it inwards against the adapter, then turn the base in a counterclockwise direction.

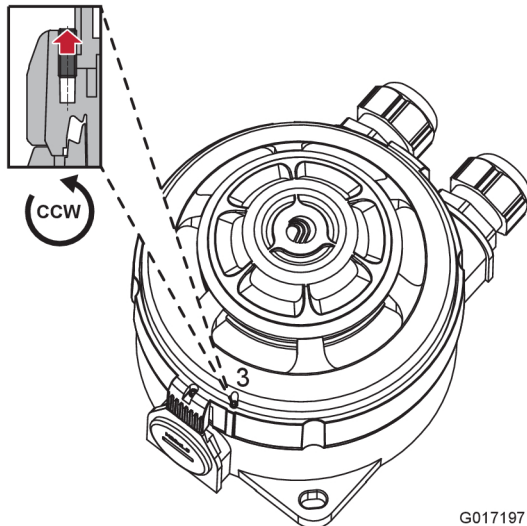
**Hint!**

Use a 5 mm screwdriver or similar as a lever, inserting it in the hole (2) to give extra force when turning.



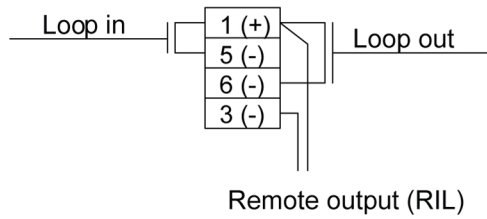
Securing the detector head

The locking screw (3) secures the base adapter with the detector head. Turn the screw counterclockwise until the screw is level with the rim of the base adapter. See detail with cross-section view below.



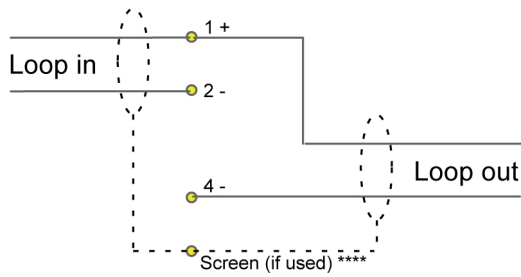
Connections

Connection of addressable detectors CD-PH:



G023126

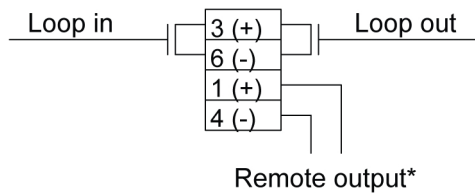
Connection of addressable detectors CD-PH Ex ia/ic



G017646

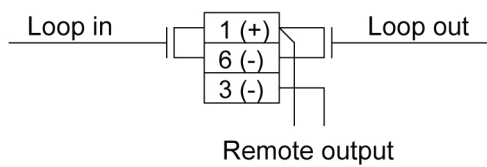
Connection of addressable detectors IA, OA, TDT and EV-PP series:

i NOTE!
The connection is the same as for UB-6.



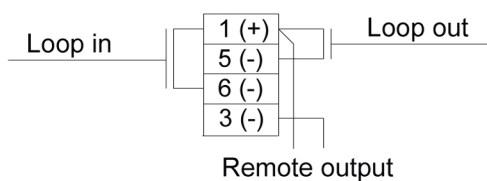
G016869

Connection of addressable detectors NS, CN and EV-series** (EV-PP, CN-PS and CN-PYS excluded):



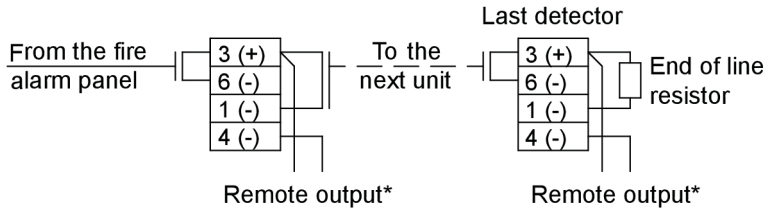
G016870

Connection of addressable detectors EV series with SCI (EV-PP excluded):



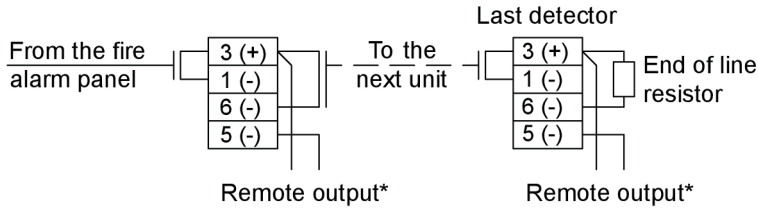
G026448

Connection of conventional detectors DIS3, DOS3 and HC100:



G016871

Connection of conventional detectors EVC-series (EVC-PY-IS excluded):



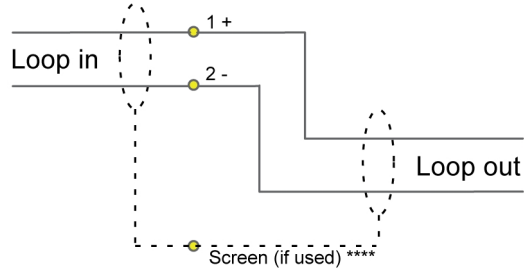
G016872



NOTE!

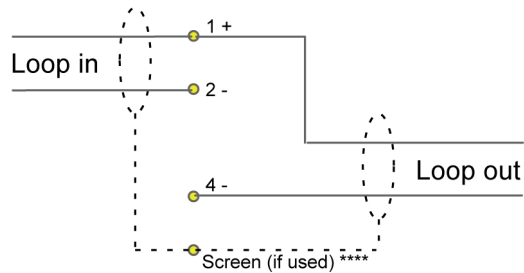
If the cable screen is to be used, it must be connected to the designated screw in the IP BASE.

Connection of addressable detector NS-AOHS-IS:



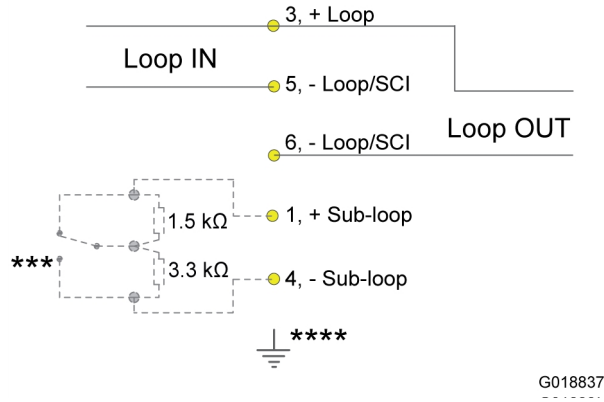
G018881

Connection of addressable detector CS-PH Ex:



G017646

Connection of addressable detector CS-PYH:



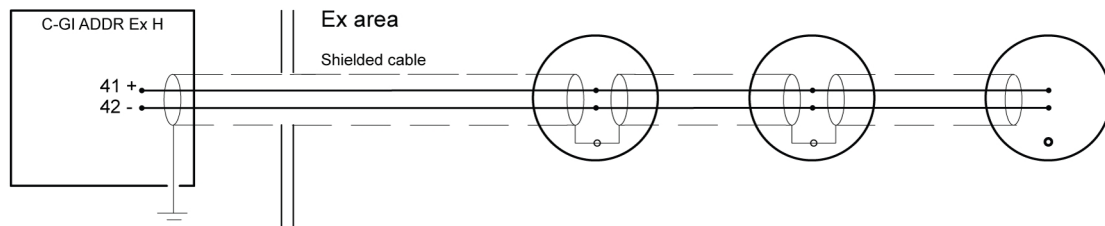
* All types of detectors do not have the remote output. Please refer to the data sheet for the detector in question.

** For loop units with short circuit isolators, see connection on data sheet for that unit.

*** Connection example for input

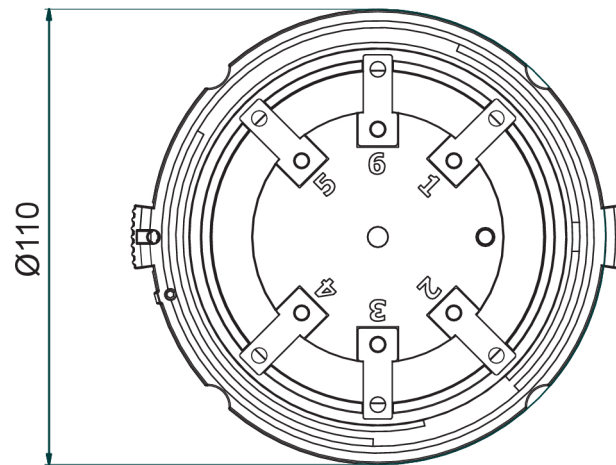
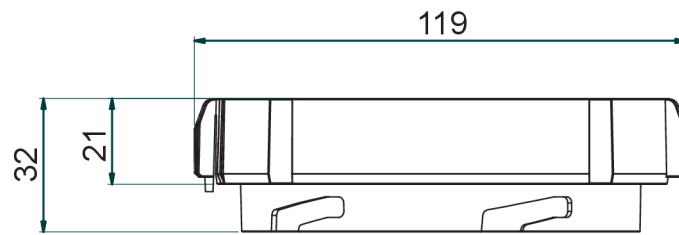
**** Connection for shielded cable, if shielded cable is used. Refer to next section for an example of a shielded cable connection.

Example of shielded cable connection



G018954

Dimensions (mm)



G016852