

# Alarm Sounder

## CD-S


Part no. 5100626-00B

System: CS3000, CS4000, NSAC-1, TERRA ONE, TERRA FIRE

### General Description

The CD-S module is a Type A fire alarm sounder suitable for use with a wide range of addressable detectors, see suitable detectors list, and as a spare part for the SUM-2 Buzzer.

### Data

Power supply	16 - 38 VDC
Operating current	0.1 mA
Alarm current	3.8 mA
Frequency Range	800 - 2400 Hz Depends on the selected tone
Sound output	80-85 dB(A) at 1 m Depends on the selected tone SPL data $\pm 3$ dB(A)
Operating temperature	-25 °C to +70 °C
Storage temperature	-40 °C to +70 °C
Relative humidity	$\leq 95$ % RH non-condensing
Ingress protection	IP22
Material	FR Polyamide
Fire behavior of materials	HLR3, I2/F2 and NFPA 130
Colour	RAL 9003 White
Weight	0.027 kg
Conformity	EN 54-3:2001  RoHS 2 ENV2

### Certificates

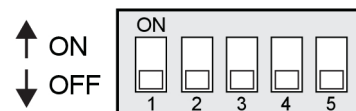
**CE** 2531/17  
2531-CPR-CSP10859  
DOP no. 6304042

### Accessories

5101509-00A	CD-B Detector base
5101510-00A	CD-B SCI Detector base
044445	UB-6 Detector base
5200313-00A	UB-6 SCI Detector base
5100449-00A	UB-6 PA66 Detector base
5101063-00A	UB-6 SCI with CD-S building
5101064-00A	UB-6 with CD-S building

### Function Selection

A DIP-switch is used to select detector type and tone type.



G014370

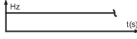


- Use settings 4-5 for configuration of detector type according to section [Detector Type Selection](#).
- Use settings 1-3 for tone selection according to section [Tone Selection](#)

## Detector Type Selection

Type	Addressable detectors	Settings DIP 4-5	
		4	5
Type 1: RDJ/IA/OA sub-loop	RDJ-2T, OA120, OA130, IA120 and IA130	ON	OFF
Type 2: EV-PP (IDA) sub-loop	EV-PP/IA120, EV-PP/IA130, EV-PP/IA130-2T/RDJ-2T, EV-PP/OA120, EV-PP/OA130 and EV-PP/SID38T	ON	OFF
Type 3: NS Remote indication	NS-AOS, NS-AOHS, NS-AIS, NS-AIHS, NS-AH/A1S, NS-AH/CS and NS-AUV	OFF	ON
Type 4: CN-P/H Remote output pin 2*	CN-P, CN-PH, CN-DP, CN-DPH-A2R, CN-DPH-CS, CN-H/A1R, CN-H/CS and CN-PYH	ON	ON
Type 6: Remote output (RIL)	CD-PH	ON	ON

\* NOTE! The CD-S is recommended to use from CCP firmware v1.10.50 / Terra One v1.8.0. In previous versions (and the CS-3000,-4000, NSAC-1) the outputs was disabled w. the detector.

## Tone Selection

Tone no.	Tone type	Specification	Description/ Country	Min dB(A) @ 1 m*	Settings DIP 1-3		
					1	2	3
1	Continuous 	2400 Hz (BS5839-1)	IMO Code 2 (High) / UK**	93	OFF	OFF	OFF
2	Alternating 	800 - 1105 Hz with 2 Hz repeat rate	Sweden***	81	ON	OFF	OFF
3	Intermittent 	1105 Hz, 1s ON / 1s OFF	Fire tone	74	OFF	ON	OFF
4 - 16	N/A	Not used					

\* SPL data  $\pm 3$  dB(A)

\*\* Recommended tone for marine applications

\*\*\* Recommended tone for building applications

## Installation

### Mounting

The CD-S sounder is easily attached to the detector base CD-B/UB-6.

1. Remove the cut out piece (A) from the base, using a knife or a pair of pliers.
2. Attach the sounder to the base.
3. Connect the cables as described in section [Wiring](#).
4. Mount the base with the sounder:



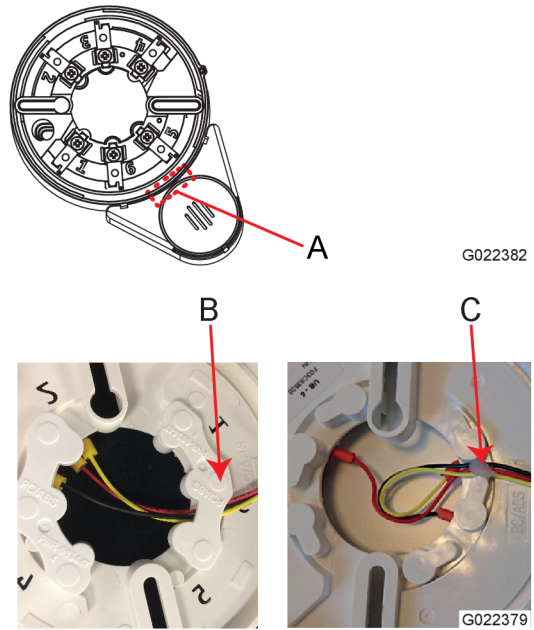
**NOTE!**

The base with sounder must be mounted on a flat surface.

Prevent malfunction caused by cables being squeezed between base and ceiling:

For CD-B, remove the piece of plastic (B) protecting the screws. Place the CD-S cables in the space between them and reattach the protective plastic.

For UB-6, fix the CD-S cables with a suitable fixing compound (C).



### Wiring

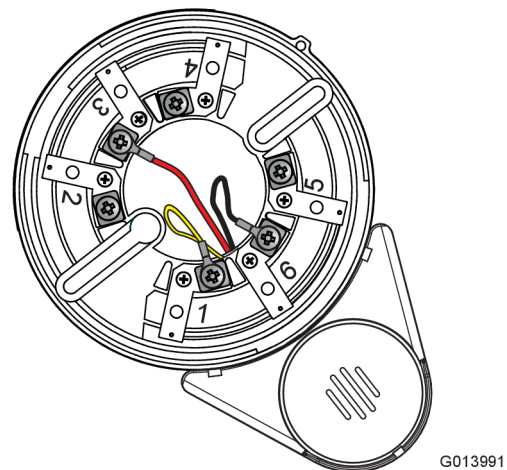
Connect the cables from CD-S to the detector base CD-B/UB-6 according to the following tables and illustrations.

#### Colour coded cables for connection to CD-B/UB-6 terminals

- Sounder (+)      Red
- Sounder (-)      Black
- Sounder control    Yellow

#### Connection for Type 1 and Type 2

RDJ-2T	EV-PP/IA130-2T/RDJ-2T
OA120	EV-PP/IA120
OA130	EV-PP/IA130
IA120	EV-PP/OA120
IA130	EV-PP/OA130
	EV-PP/SID38T

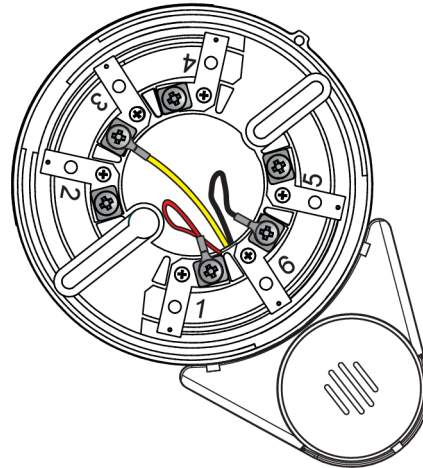


Type	CD-B/UB-6 Base terminals					
	1	2	3	4	5	6
Type 1: RDJ/IA/OA sub-loop	Sounder control		Sounder (+)			Sounder (-)
			Loop (+)			Loop (-)

Type	CD-B/UB-6 Base terminals					
	1	2	3	4	5	6
Type 2: EV-PP (IDA) sub-loop	Sounder control		Sounder (+)			Sounder (-)
			Loop (+)			Loop (-)

Connection for Type 3 on CD-B/UB-6 without SCI (activated by the detector remote LED output)

NS-AOS  
NS-AOHS  
NS-AIS  
NS-AIHS  
NS-AH/A1S  
NS-AH/CS  
NS-AUV

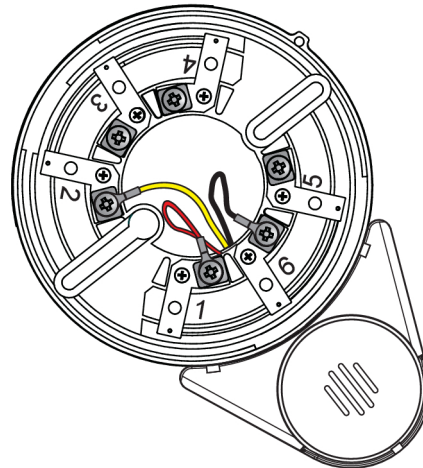


G018763

Type	CD-B/UB-6 Base terminals					
	1	2	3	4	5	6
Type 3: NS Remote indication	Sounder (+)		Sounder control (-)			Sounder (-)
	Loop (+)					Loop (-)

Connection for Type 4 on CD-B/UB-6 without SCI (programmable activation by the C&E/PLC)

CN-P  
CN-PH  
CN-DP  
CN-DPH-A2R  
CN-DPH-CS  
CN-H/A1R  
CN-H/CS  
CN-PYH



G018725

Type	CD-B/UB-6 Base terminals					
	1	2	3	4	5	6
Type 4: CN-xx, free programmable output 2	Sounder (+)	Sounder control (-)				Sounder (-)
	Loop (+)					Loop (-)

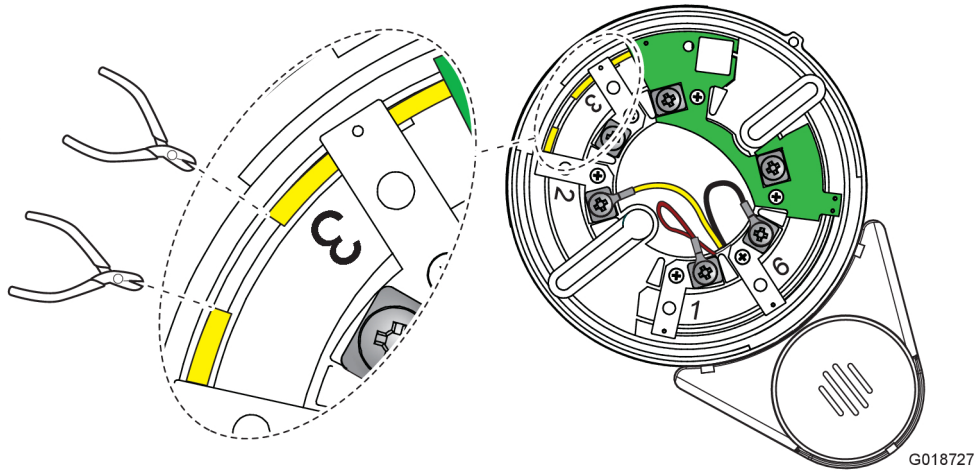
Connection for Type 4 on CD-B/UB-6 with SCI



**WARNING!**

In this case the internal yellow cable from pin 2 to the SCI PCB (see graphic below) must be cut! Cut it twice, to avoid connection!

- CN-P
- CN-PH
- CN-DP
- CN-DPH-A2R
- CN-DPH-CS
- CN-H/A1R
- CN-H/CS
- CN-PYH



Type	CD-B SCI/UB-6 SCI Base terminals					
	1	2	3	4	5	6
Type 4:	Sounder (+)	Sounder control (-)				Sounder (-)
CN-xx, free programmable output 2	Loop IN/OUT (+)			Loop IN (-)	Loop OUT (-)	

Dimensions (mm)

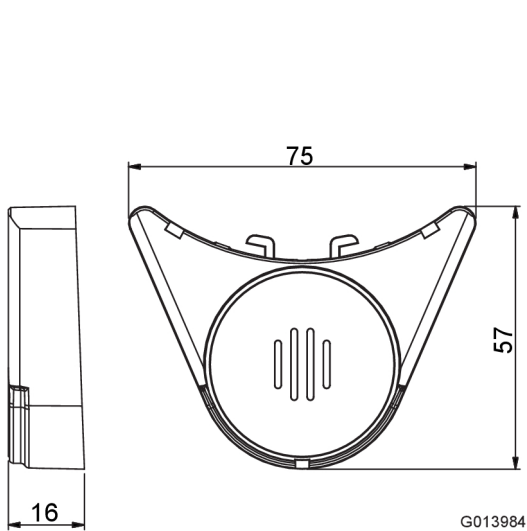


Figure 1. Dimensions for CD-S

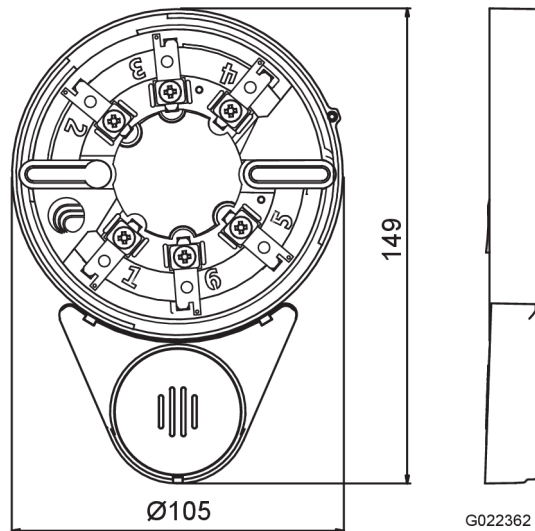


Figure 2. Dimensions for CD-B/UB-6 and CD-S