



G010203

Combined Optical Smoke and Heat Detector

CN-PYH

Part no. 5100499-00A

System: CS3000*, CS4000*, NSAC-1*, TERRA FIRE,
TERRA ONE

General Description

CN-PYH is an analogue addressable combined optical smoke and heat detector:

This unit can either be used as a smoke, a heat, or a combined smoke and heat detector. The following functions can be configured in the applicable fire detection systems:

- The detector address in the system
- Mode (Dual, Multi-criteria, Smoke, Heat or Default)
- Smoke sensitivity level (5 steps)
- Heat sensitivity level (select temperature class A1R, A2S, BS or CS)

CN-PYH is equipped with OMNIVIEW 360° LED indicator giving a clear, full 360° visibility of the red alarm indication. The detector is also equipped with an output for remote indication.

CN-PYH has a fine pitch net which improves the response to smoke and also reduces the amount of dust etc. entering the detector.

The technical detector address is set with a special programming tool. Valid addresses are 1-254.


See separate document "Base matrix" for information about suitable base plate.



NOTE!

* When used in this type of fire detection system, the CN-PYH will act as a CN-PH, i.e. a CN-PYH can be used as spare part/replacement for a CN-PH but it will not provide any additional features.

Data

Sensor method	Light Scatter and Thermistor
Sensor element	1 x Light Emitting Diode and Thermistor
Nominal voltage	35 VDC
Working voltage	20–38 VDC
Working current	200 µA
Alarm current	5 mA (LED)
Remote indication	2 mA
Operating temperature	-10°C to +55°C
Storage temperature	-25°C to +70°C
Relative humidity	≤RH95% non-condensing
Ingress protection	IP40
Addressing method	Soft addressing, Non-Volatile EEPROM.
Material	PC/ABS or ABS
Weight (w/o base)	110 g
Colour	White
Programming tool	Part no. 22100
CE Conformity	EN54-5, EN54-7, EN54-29
Certified according to	 0359-CPR-00278 DoP No: 00278-PYH



NOTE!

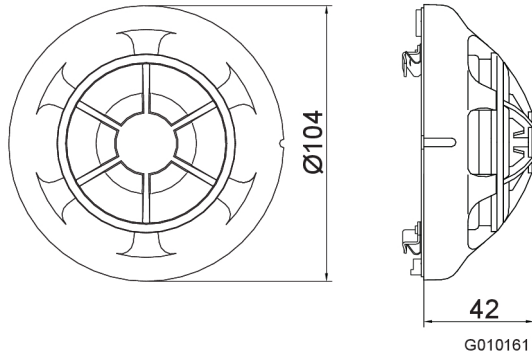
Do not remove the dust cover from the detector until all polluting (dusty) activities are finished and the area has been cleaned.

Connection



Hint!

For connection, please refer to the data sheet for the selected base plate.

Dimensions (mm)

Detector head	Ø104 mm x 42 mm
Detector head and UB series base	Ø104 mm x 57mm